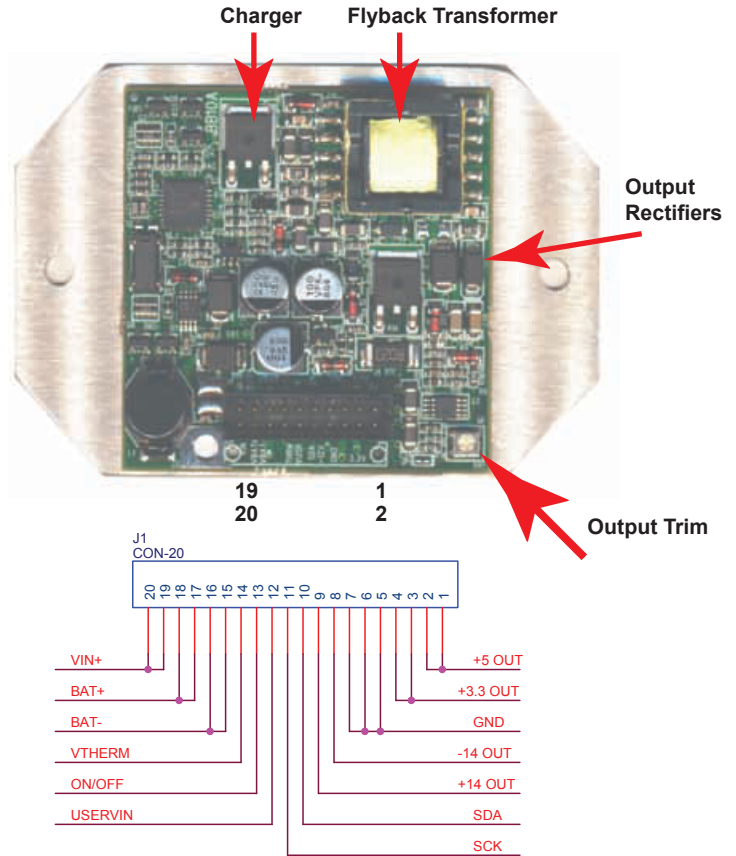


BB10A Quick Start User Guide

1. Never connect power or battery in reverse.
2. SDA and SCK are reserved for OEM applications. Standard usage has SDA as a PWRON signal and SCK controlling battery conditioning.
3. On Board Connector: Molex 87832-2020
User Shell: Molex 51110-2051 Digikey WM18050-ND
User Pin: Molex 50394-8100 Digikey WM1128-ND
4. Minimum VIN voltage must be 1 volt greater than the maximum battery voltage when charging. For series connections of 8 NiCd or NiH cells the minimum VIN would be 13.5 volts for 0 to 40C operation. For low temperature operation use 17 volts.
5. USERVIN range is 0 to 3.3 full scale. Part location R20 is provided for an optional voltage divider.



www.indexdesigns.com

Battery Boss BB10A Prototype Connection Board

