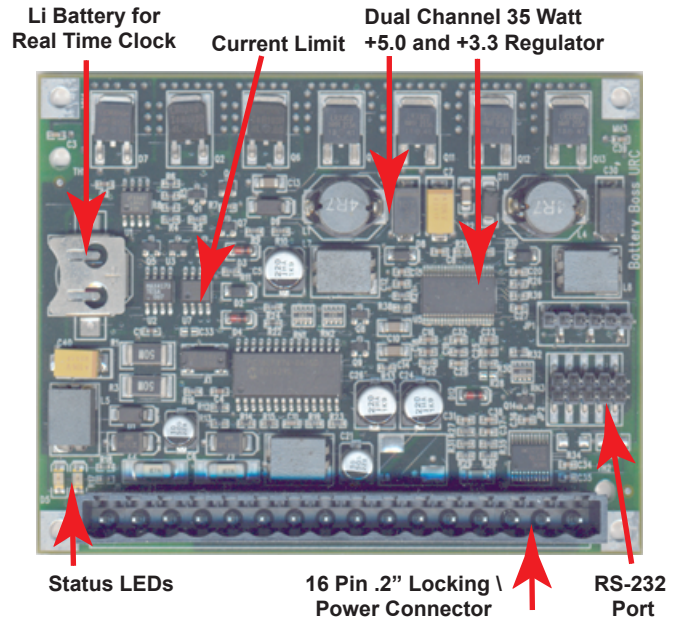


BB-URC Quick Start User Guide

1. Never connect power or battery in reverse.
2. Mating Connector is 16 Pin .20 Inch Pitch Weidmuller 152781 Digikey 281-1250-ND Many styles and vendors are available.
3. Serial port connection available on both .1 inch header and main connector.
4. All SMT design allows PCB mounting directly on metal chassis or heat sink. Required for full power operation.
5. Off board 5 watt power resistor required for charging control.



Battery Boss BB-URC Connection Guide

